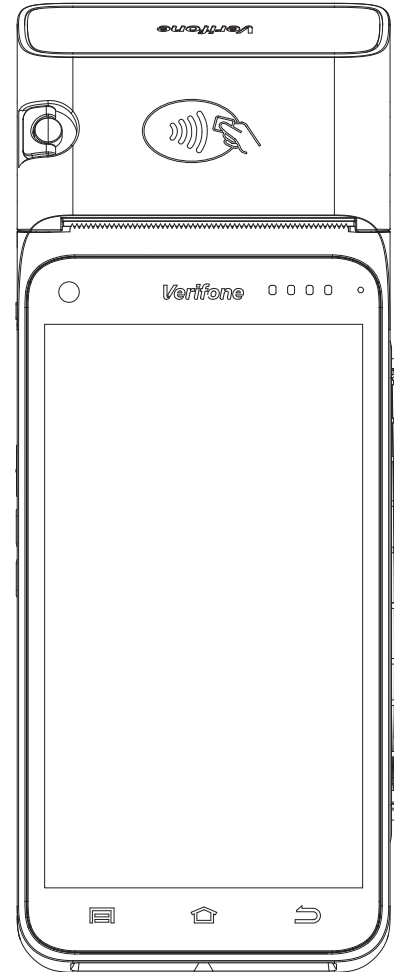


T650p Petro
Smart POS Terminal



Verifone, Inc.

Verifone Part Number: DOC560-012-EN-A, Revision A02

User Instruction

Thank you very much for choosing VERIFONE products, please read this instruction before use so that you could know the performance deeply. Please keep this instruction for your reference if you have problem during use.

Our company will try best to adopt new technologies, new components, new software to improve products. Hence, we have right to change without notice. The feature, function and operation described in this instruction may be different from the performance of the selling products, in some cases, image is prototype devices. Please inquire our company or agent for appropriate document before using this instruction.

The device should be installed by after sales service person. Our company shall not be liable for any consequences arising from unauthorized changes to the equipment, replacement of the connected equipment and cables not as specified.

The User Manual applies to Model T650p Petro.

Verifone, Inc. reserves the right to change product technical specification without prior notice.

Function and purpose of the equipment

POS (point of sale) is a kind of multi-functional terminal, which can be installed in the special merchants and acceptance outlets of credit cards and connected with computers to form a network. It can support the automatic transfer of electronic funds. It has the functions of supporting consumption, pre-authorization, balance query and transfer, and is safe, fast and reliable to use.

Verifone Inc.
2560 N, 1st Street, Suite 220 San Jose, California 95131, USA

Verifone Holding GmbH
Seilerweg, 2F, Bad Hersfeld 36251, Germany

Verifone UK Ltd.
3 Roundwood Avenue Stockley Park Uxbridge, UB11 1AF, UK

GC / Ex 8656.01 / 21.

e) EU-type Examination Certificate
TÜV 21 ATEX 8656 X, Issue:01

6. Quality Management System:

Ex QAN (Quality Assessment notification for production facility):N/A

7. Reference to the harmonized standards

EN IEC 60079-0:2018(State of the Art)

EN 60079-11:2012(State of the Art)

8. Where appropriate, the standards and technical specifications used

N/A

9. Where appropriate, references to other EU Directives which have been applied

N/A

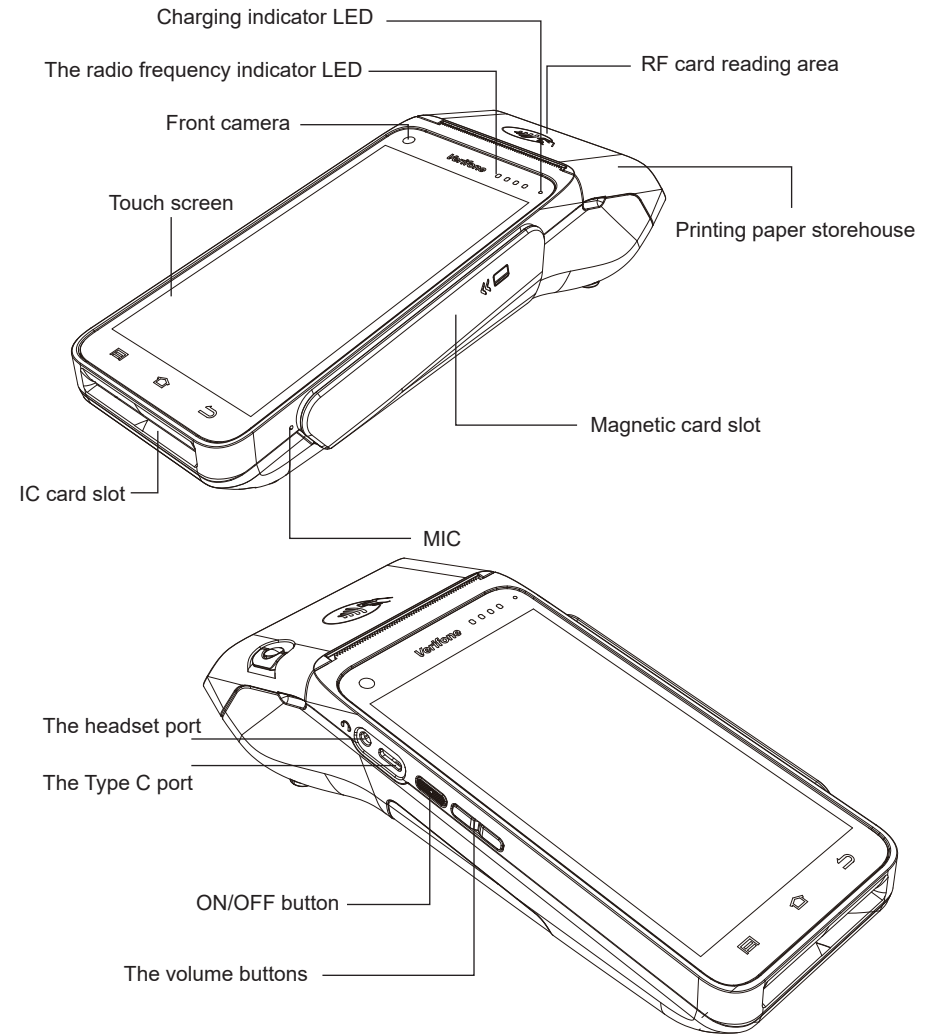
We, Verifone, Inc, declare that the design, manufacturing and inspection of the T650p Petro described above is in conformity with the provisions of the ATEX Directive 2014/34/EU.

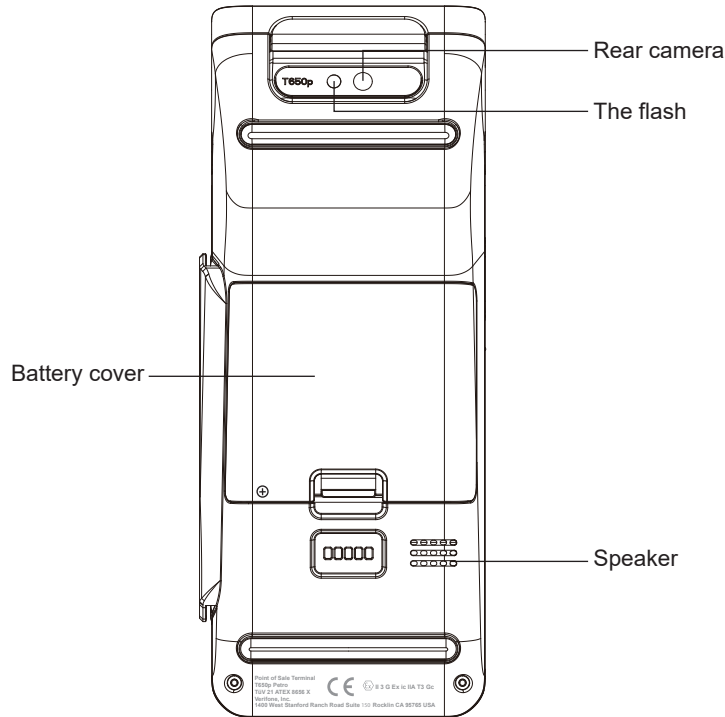


Thomas Weikart
EVP, Global Operations,
2744 North University Drive,
Coral Springs, FL 33065
09.12.2022

Remark: The signatory needs to be a responsible officer of the manufacturer or of the authorised representative.

1. Basic configuration





DECLARATION OF CONFORMITY

According to ATEX Directive 2014/34/EU

1. Manufacturer

Manufacturer: Verifone, Inc

Address: 1400 West Stanford Ranch Road Suite 150 Rocklin CA 95765 USA

2. Factory

Manufacturer: Verifone, Inc

Address: 1400 West Stanford Ranch Road Suite 150 Rocklin CA 95765 USA

Note: Same as above.

3. Equipment Information:

Product name: Point of Sale Terminal

Type / model: T650p Petro

Serial number: N/A

Note: N/A

4. General Description for The Equipment:

T650p Petro is a wireless Point of sale machine with printer.

It is powered by recharging battery SCUD SX18650-2S1P.

T650p Petro is comprised of electrical circuits, cameras (front camera and rear camera), printer, display unit, touch screen, IC card reader, memory card, MIC, Speaker, RF card reader and magnetic card slot.

The enclosure of T650p Petro was made of PC GE C2950&LG GN5001RFG.

The equipment to be intended use in Zone 2 with gas group IIA.

5. General Description for Safe Use:

a) The marking of the equipment shall include the following:

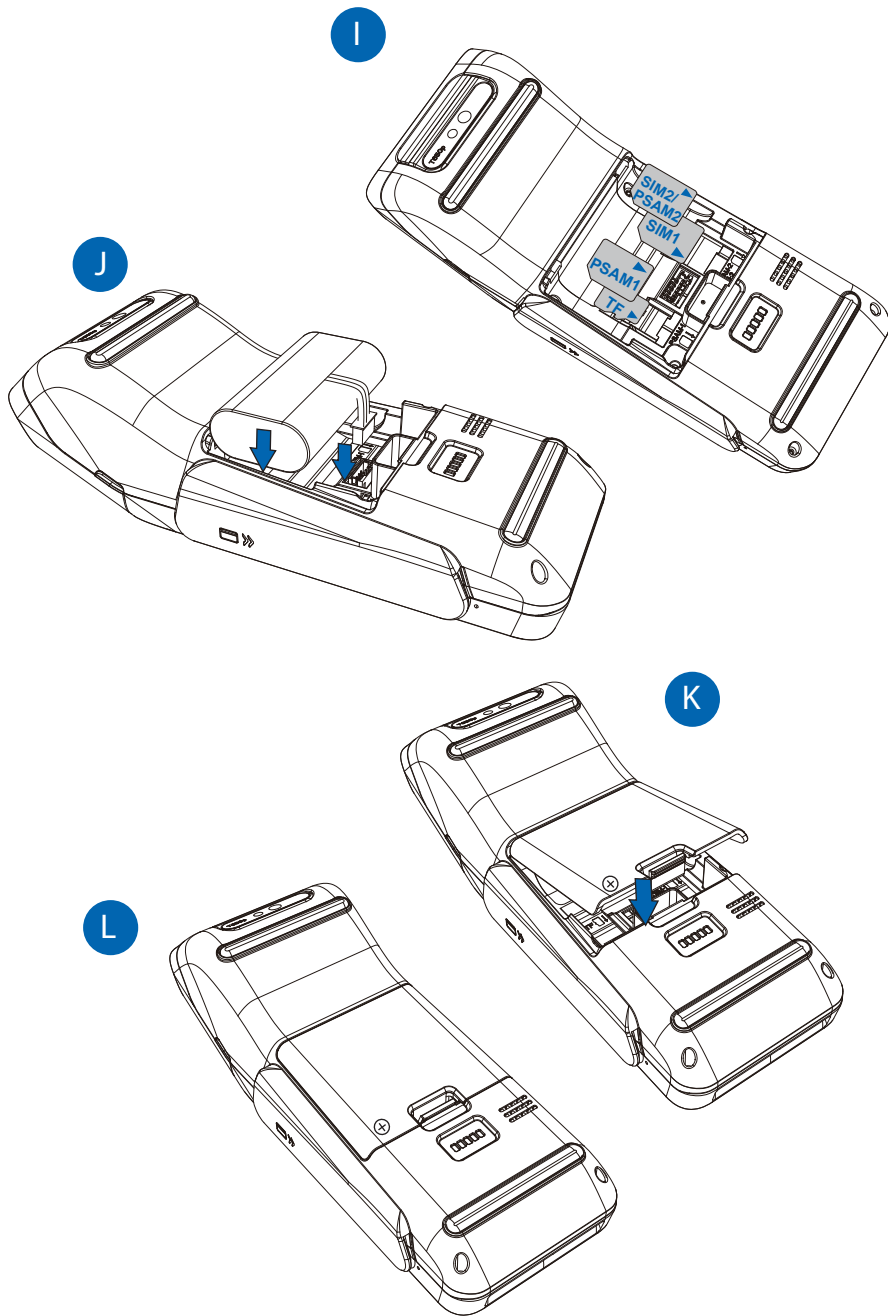
Ex 3 G Ex ic IIA T3 Gc

b) Apparatus supply and input/output parameters:

Ui=8.4V

c) Notified Body :TÜV Rheinland Industrie Service GmbH


d) The examination and test results are recorded in the confidential report:



2. User instruction

2.1 ON/OFF instruction

POWER ON: press "  " ON/OFF button for 3 seconds

POWER OFF: press "  " ON/OFF button for 3 seconds and then press "power off" on the screen.

2.2 Magnetic card

Put the magnetic card into the magnetic card slot to read, magnetic side towards the LCD (refer to the sign for card identification. keep smooth, uniform when swiping the card).

2.3 Contact IC card

Insert IC card into the IC card slot, the metal side towards keypad, please refer to card identification.

2.4 Contactless card

Put the contactless card near the contactless card reader zone on the device, and make contactless card transactions.

Put one contactless card every time to avoid conflict if putting more cards.

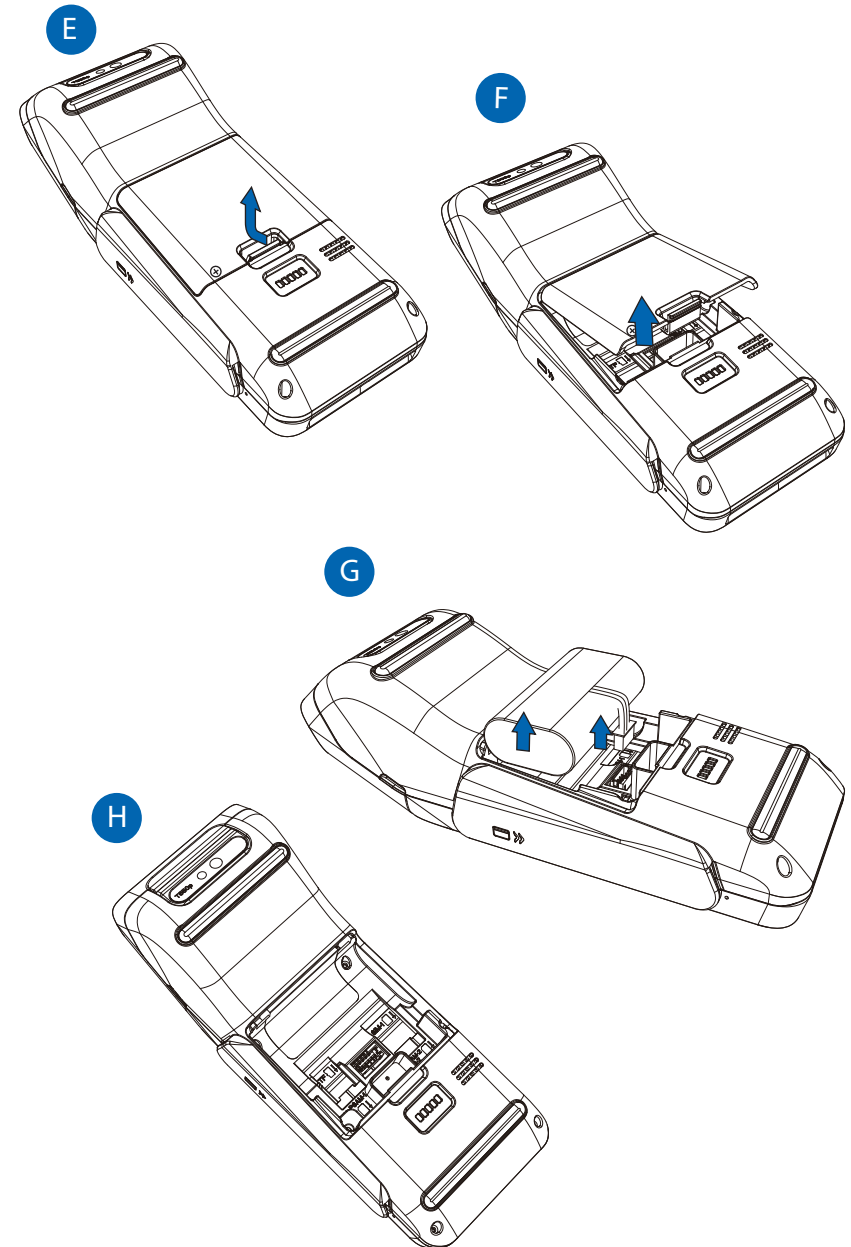
2.5 Charging

Connect the Type C cable to POS terminal, connect the other connector to 5V/2A power adaptor to charge.

3. Terminal specification

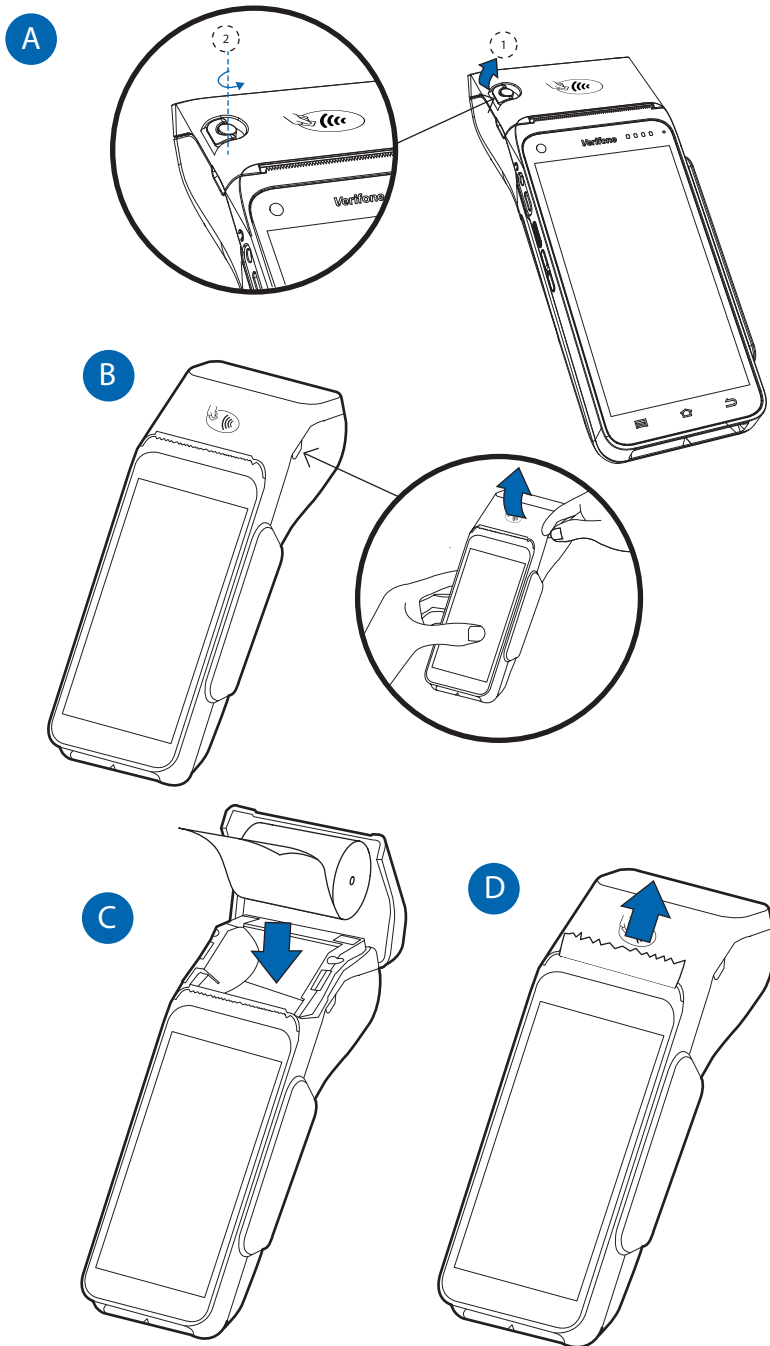
Item	Specification
Model Name	T650p Petro
CPU	ARM Cortex-A7 Quad-core CPU
Memory	2G RAM+16G ROM Flash
Operating System	Android 8.x secure payment system
Display	5.5 inch IPS screen, resolution 1280×720
Extended storage	Micro SD card interface, maximum support 32GB
Password keypad	Built-in password keypad Conform to ANSI X9.8/ISO9564, ANSI X9.9/ISO8731 standard Support Master Key/Session Key, Fixed, DUKPT etc PIN protection technology Support DES, 3DES, RSA, SHA-256 and AES etc algorithm
Touch Screen	Capacitive touch screen, support e-signature
IC card reader	Conform to ISO7816, PBOC and EMV level 1&2 standard
Magnetic card reader	Support ISO7811 1/2/3 track, bi-directional reading

Contactless card reader	Support ISO/IEC 14443 Type A&B, MiFare card, conform to qPBOC, PAYPASS and PAYWAVE standard
Rear camera	High pixel customized camera with flash, autofocus(optional)
Front camera	Professional camera with 1D/2D barcode fast recognition algorithm(optional)
Physical interface	1 x USB port 3.5mm Audio jack port 2 x SAM; or 1 x SAM, 2 x SIM; or 2 x SAM, 1 x SIM
Indicator LED	4 contactless indicator LED 1 two-color charging indicator LED
Buzzer	Built-in buzzer, speaker, microphone
Printer	Built-in high-speed thermal printer with print speed greater than 25 lines per second, support paper roll with width of 58mm and diameter of 50mm, support black mark positioning
GPS	Built-in GPS, support A-GPS, Glonass, Beidou
Battery	Standard configuration 3350mAh/7.2V
Connectivity	4G/3G/2G compatible(optional); Wi-Fi; Bluetooth
Power adaptor	Input: AC 110V~240V/50~60Hz/0.4A Output: DC 5V/2A
Optional accessories	1.The rear camera 2.The base (charge + Ethernet)
Environmental condition	Operating temperature: 0℃ ~ 45℃ storage temperature: -20℃ ~ 60℃ Relative humidity: 5%~90% (RH without condensation)



4. Instructions for installation and usage

- 4.1 Please charge the terminal within the specified voltage range, don't use too low or too high voltage.
- 4.2 Please make sure the connection is correct when connecting the device to the host and/or the power adaptor.
- 4.3 Don't damage the cable, if the cable is damaged, do not use it anymore.
- 4.4 Don't expose the terminal with direct sunlight, high temperature, humidity, dusty or strong corrosive gas.
- 4.5 Stay away from liquid, don't use the product where the water may pour over or enter into, don't operate the product with wet hand.
- 4.6 It is strictly prohibited to open the terminal without permission, otherwise the terminal will fail, the consequence will be at your own risk.



- 4.7 Be sure to use the original battery or specified type of battery, otherwise it may cause the risk of explosion, prohibit the impact, extrusion, heating, short circuit or put the battery into the fire, the battery is prohibited to use after soaking.
- 4.8 Please follow step E to step K of Quick Installation Guide replacing the battery and remember to close the battery cover after replacing the battery.
- 4.9 Please refer step I of Quick Installation Guide replacing the IC Card, SIM Card T-Flash Card and PSAM Card.
- 4.10 Please refer step A to step D of Quick Installation Guide replacing printer paper roll.
- 4.11 Adapter shall be installed near the equipment and shall be easily accessible.
- 4.12 Hereby, [Verifone, Inc.] declares that the radio equipment type [Model: T650p Petro] is in compliance with Directive 2014/53/EU. The content text of the EU declaration of conformity is available on <https://www.verifone.com/en/us/verifone-regulatory-and-compliance-sheets>.
- 4.13 Please use Verifone verified power adaptor for battery charging; the temperature range under battery charging mode is 0°C to 45°C (Over Temperature protection 45°C ± 3°C, under Temperature protection 0°C ± 3°C). Do not operate and use the device outside the above temperature range, otherwise it may cause the risk of explosion.

5. Security provisions

5.1 Special conditions for safe use

- 5.1.1 WARNING – DO NOT OPEN WHEN AN EXPLOSIVE ATMOSPHERE IS PRESENT
- 5.1.2 WARNING – DO NOT CHARGE THE BATTERY IN HAZARDOUS LOCATION
- 5.1.3 WARNING – USE ONLY SCUD SX18650-2S1PS 7.2V Li-ion Battery
- 5.1.4 The replacement procedure of battery pack shall be observed in line with Ex instruction.
- 5.1.5 Use only Ten Pao Electronics(Huizhou) model S010CNU0500200 (for EU version), S010CNS0500200(for AU version) and model S010CNU0500200(for NA version) AC Charger for charging purpose, if other charger used, then this charger must be approved by general industrial standards and has same output parameters as the approved chargers.
- 5.1.6 The POS terminal needs to protected from impacts with high impact energy.
- 5.1.7 The POS terminal are not permitted exposure to light for a long term directly, under the extreme situations, for example, the strong sunlight, the POS terminal should be used with additional protection.
- 5.1.8 It is not allowed connect the headset in hazardous area.
- 5.1.9 It is not allowed insert SIM card, T-Flash card and PSAM card in hazardous area. Additional temperature assessment and spark ignition assessment should be performed base on Type Examination Certificate if the unnormalized cards used.
- 5.1.10 It is not allowed replace the printing papers in hazardous area.

5.2 Standard Compliance

EN IEC 60079-0:2018;
EN 60079-11:2012;

5.3 Ex information for POS terminal T650p Petro

- 5.3.1 National regulations: ATEX directive 2014/34/EU
- 5.3.2 ATEX Type Examination Certificate No.: TÜV 21 ATEX 8656 X
- 5.3.3 Ex Marking: II 3 G Ex ic IIA T3 Gc
- 5.3.4 Tamb: 0°C ~+45°C

5.3.5 IP Rating:IP20

5.3.6 Relative humidity: 5% to 90%(Non-condensing)

5.3.7 I.S Parameters:

Um=5.25V(AC Adapter output/Overvoltage category II)

Ui:8.4V(Maximum open-circuit voltage)

5.4 Intended use

5.4.1 The equipment to be used in Zone 2 hazardous area only with gas group IIA.

5.4.2 POS (Point of Sale) can be used in but not limited to factories, stores, gas stations etc.

6.Fault identification and elimination

6.1 Cannot power on

Check whether the battery is out of power, plug in the power adapter to charge it.

6.2 POS does not work properly

Long press the power on key to restart the terminal or plug in the battery.

6.3 Cannot print

Check whether the printing paper is missing and whether the paper cover is well closed.

***POS terminal is not allowed to be maintained by maintenance personnel not work with the company.**

7.Password anti-peep instruction

7.1 Using body or hand to block when entering the password to prevent it from peeping.

7.2 The monitor range should be as far as possible from the placement of the terminal when installing the surveillance camera, so as to avoid the cardholder's password leakage.

7.3 Clients and merchants need to conduct routine inspection to ensure that the terminal has not been changed and there are no suspicious objects within the smart card and magnetic card slot.

8.Packing list

Serial No.	Name	Functional	Qty
1	T650p Petro POS Terminal	Main function	1
2	USB-C charging cable	Charging	1
3	User Manual	Guidance	1
4	Paper roll	Print material	1
5	Power adaptor	Power supply	1
6	Battery	Power supply	1
7	T650p Petro Declaration of Conformity	CE Declaration	1

9.Notice

The device for operation in the band 5150–5250 MHz is only for indoor use to reduce the potential for harmful interference to co-channel mobile satellite systems.

l'appareil de fonctionnement dans la bande 5150-5250 MHz est uniquement destiné à une utilisation intérieure afin de réduire le risque d'interférences nocives pour co-canaliser les systèmes satellitaires mobiles.

This product supports Receiver Category 2.

CE Notice For 5G Band (WLAN:5150-5350 MHz)

The device is restricted to indoor use only when operating in the 5150 to 5350 MHz frequency range.

	AT	BE	BG	CH	CY	CZ	DE
	DK	EE	EL	ES	FI	FR	HR
	HU	IE	IS	IT	LI	LT	LV
	LU	MT	NL	NO	PL	PT	RO
	SE	SI	SK	TR	UK(NI)		



For UK WLAN:5150-5350 MHz

This device is restricted for indoor usage in UK when operating in the 5150 to 5350 MHz frequency range.